

SPILLO

Ceiling/Wall Recessed

TYPE:

PROJECT NAME:

MODEL #

FINISH

LED COLOR

OPTIC

DRIVER

VOLTAGE



SPILLO

Marco Pagnoncelli - 2012

Lampada incasso a filo muro da parete e soffitto con doppia asta orientabile realizzata in trafila di ottone sezionata 7x7mm. Disponibile in varie altezze e diverse potenze. Illuminazione a microstriscia LED ad alta efficienza luminosa.

Finiture colore:
verniciato bianco (BI), verniciato nero (NE), cromo (CR).

Classe energetica A++, A+, A

Modello depositato

Built-in flush wall or ceiling lamp with double adjustable drawn brass rod, 7x7 mm section. Available in various dimensions and power levels. Lighting by high luminous efficiency LED micro-strip.

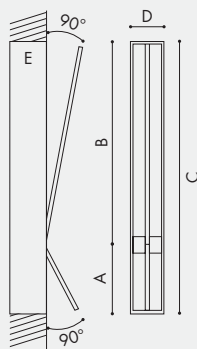
LED Driver included. Rough housing required, to be ordered separately.

Available in:
white varnish (BI), black varnish (NE), chrome (CR).

TRIAC Dimming - Works with most of the existing TRIAC dimmers.

Energy class A++, A+, A

Registered design



FINISH

BI = WHITE

NE = BLACK

CR = CHROME



Art.	W	V	Lumen	°K led	A cm	B cm	C cm	D cm	E cm	∅7 Cut Out Hole
SPILLO2i.50	9,24	12	770	3000	21,5(8.5")	51,5(20.3")	75(29.5")	3,3(1.3")	3(1.2")	8,2(3.2")x75,6(29.8")
SPILLO2i.80	14,52	12	1210	3000	31,5(12.4")	81,5(32.1")	115(45.3")	3,3(1.3")	3(1.2")	8,2(3.2")x115,6(45.5")
SPILLO2i.100	18,00	12	1540	3000	41,5(16.3")	101,5(40")	145(57.1")	3,3(1.3")	3(1.2")	8,2(3.2")x145,6(57.3")

INPUT VOLTAGE 120V

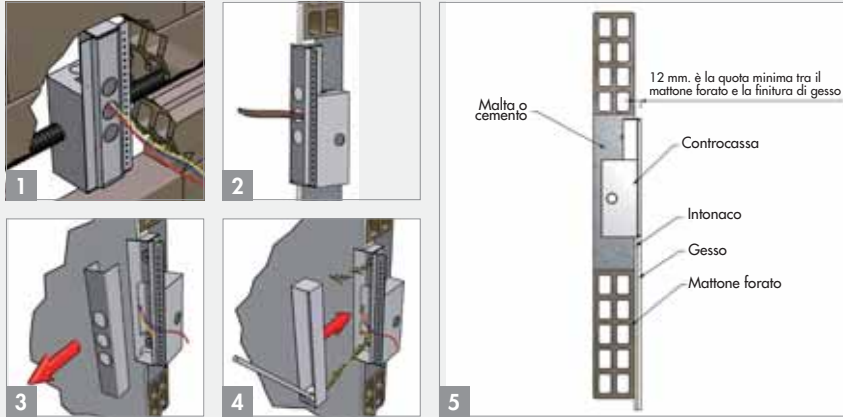
SPILLO RECESSED

Recessed Box Housings and Drivers

TYPE:

PROJECT NAME:

ORDERING NOTE: Spillo Recessed Box Housings to be ordered separately



Select your required housings from the models below

	Cod.		Cod.		Cod.
SPILLO1i.12	CA.13L	SPILLO2i.50	CA.75L	SPILLO3i.100	CA.28L
SPILLO1i.22	CA.23L	SPILLO2i.80	CA.115L	SPILLO5i	CA.28L
SPILLO1i.32	CA.33L	SPILLO2i.100	CA.155L		
SPILLO1i.42	CA.43L				
SPILLO1i.52	CA.53L				
SPILLO1i.62	CA.63L				
SPILLO1i.82	CA.83L				
SPILLO1i.102	CA.103L				
SPILLO1i.122	CA.123L				

ORDERING NOTE: Spillo LED Drivers are included with fixtures

	Art.	Output V	W	A	B	C		
	EV 1000	12	12	9 (3.5")	4 (1.57")	2 (0.78")		
	Art.	Output V	W	A	B	C		
	EV 2200	12	26	17(6.7")	5(1.9")	2.5(1")		
	Art.	Output V	W	A	B	C		
	EV 4000	12	48	12(4.7")	8(3.1")	3.5(1.4")		

Input Voltage for above Drivers are 120V - TRIAC Dimming - Works with most of the existing TRIAC dimmers.

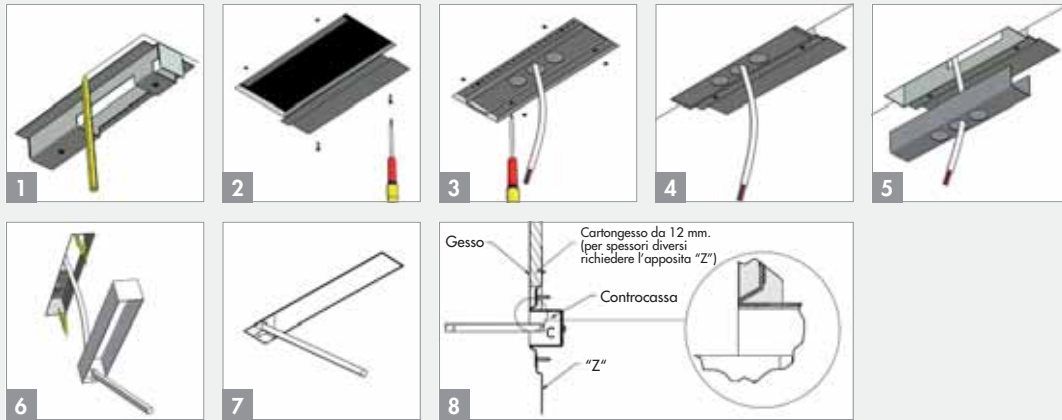
SPILLO Recessed

Recessed Retro Fit Plaster Rings and Drivers

TYPE:

PROJECT NAME:

ORDERING NOTE: Spillo Recessed Retro Fit Plaster Rings



Select your required Recessed Retro Fit Plaster Rings from the models below

	Cod.		Cod.		Cod.
SPILLO1i.12	CA.13	SPILLO2i.50	CA.75	SPILLO3i.80	CA.28
SPILLO1i.22	CA.23	SPILLO2i.80	CA.115	SPILLO3i.100	CA.28
SPILLO1i.32	CA.33	SPILLO2i.100	CA.155	SPILLO5i	CA.28
SPILLO1i.42	CA.43				
SPILLO1i.52	CA.53				
SPILLO1i.62	CA.63				
SPILLO1i.82	CA.83				
SPILLO1i.102	CA.103				

ORDERING NOTE: Spillo LED Drivers are included with fixtures

	Art.	Output V	W	A	B	C		
	EV 1000	12	12	9 (3.5")	4 (1.57")	2 (0.78")		
	Art.	Output V	W	A	B	C		
	EV 2200	12	26	17(6.7")	5(1.9")	2.5(1")		
	Art.	Output V	W	A	B	C		
	EV 4000	12	48	12(4.7")	8(3.1")	3.5(1.4")		

Input Voltage for above Drivers are 120V - TRIAC Dimming - Works with most of the existing TRIAC Dimmers